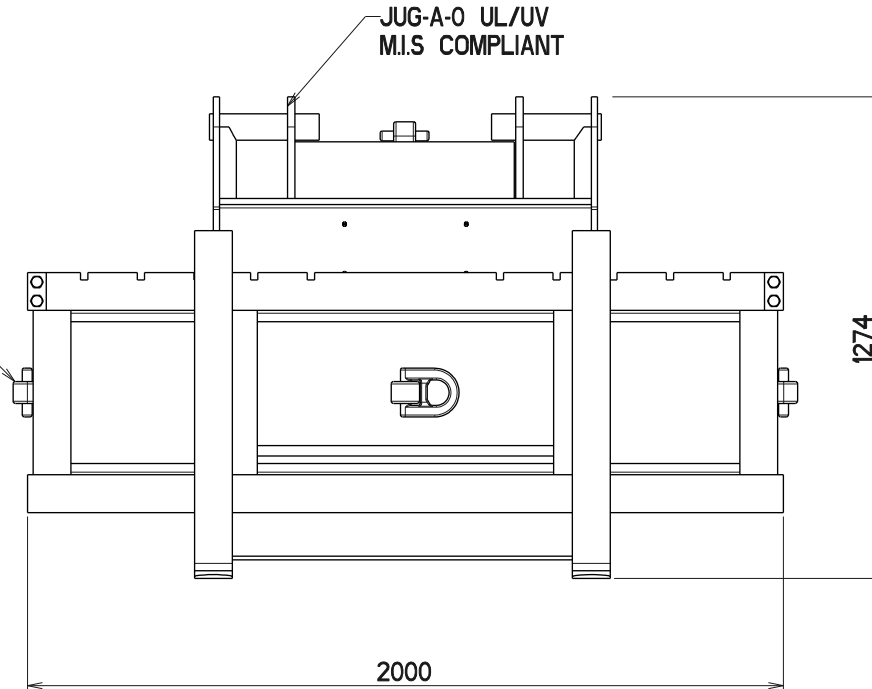
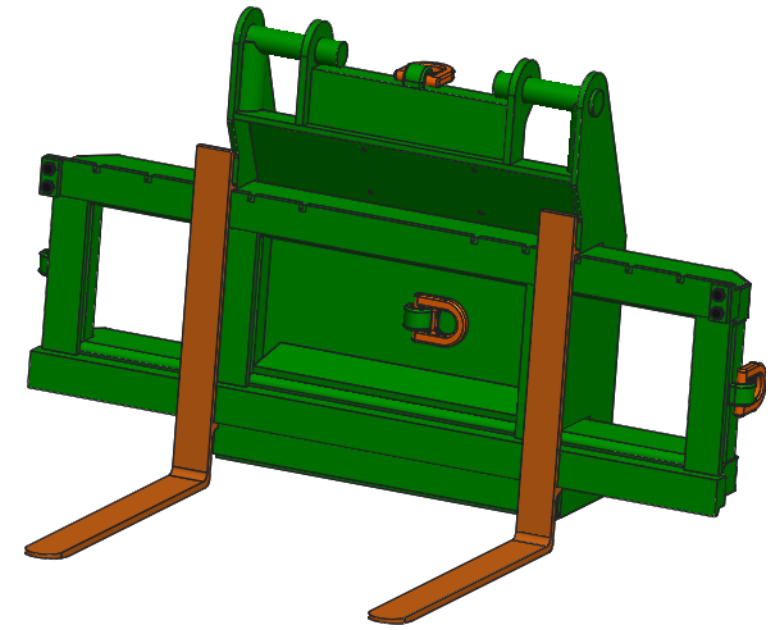
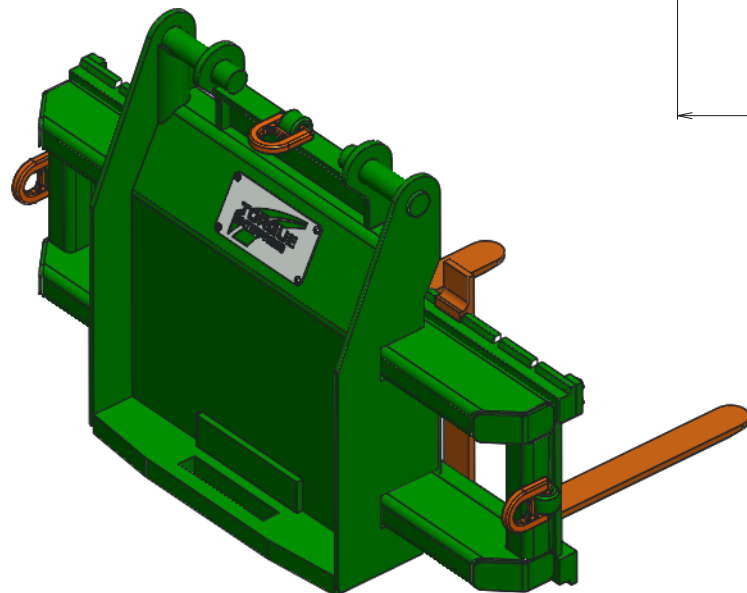
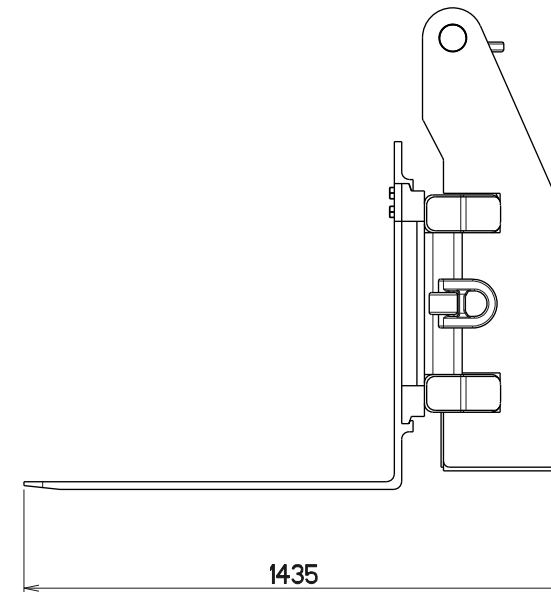


SLOTTED TOP RAIL ALLOWS ADJUSTABLE FORK POSITION



4 MOUNTING LUGS FOR SAFE LIFTING AND EASE OF SECURING LOADS

JUG-A-0 UL/UV M.I.S COMPLIANT



A	-	-	PRODUCTION RELEASE	AR	13-Jun-13		
REV.	ECR #	ITEM	SUMMARY	DRW	DATE	APPR.	DATE
			Torque Enterprises 6 Dozer Drive, Paget, MACKAY QLD 4740 Ph: (07) 4952 5081	COPYRIGHT APPLIES This drawing and/or any technical information is the property of Torque Enterprises (TE), and is issued in confidence for engineering information only. It may not be reproduced without written permission from TE.			
UNSTATED TOLERANCES: LINEAR 0±0.5 0.0 ± 0.1 0.00 ± 0.05 ANGULAR 0 ± 1° 0.0 ± 0.5° UNLESS OTHERWISE SPECIFIED REMOVE ALL SHARP EDGES AND BURRS			DESCRIPTION: FILE: E:\TE\PROJECTS\FORKLIFT-MIS\GA10286.ASSEM.ATTACH.LFT.FRK MATERIAL: REFER TABLE FINISH: - MASS : kg		ASSEMBLY, FORKLIFT MIS DRAWING # <b>MA10286</b> SCALE 0.05 ON A3 SHEET 1 OF 1		REV. <b>A</b>